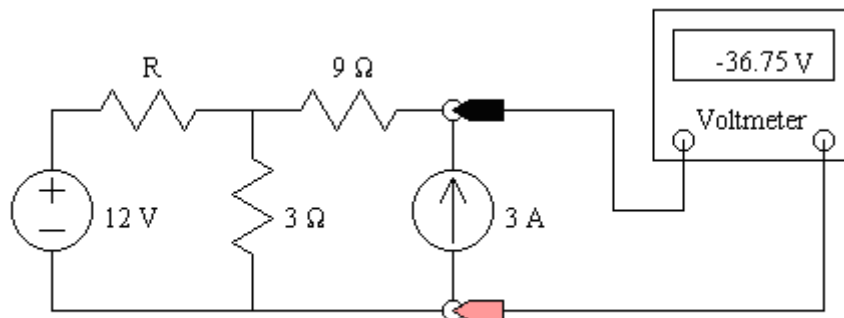
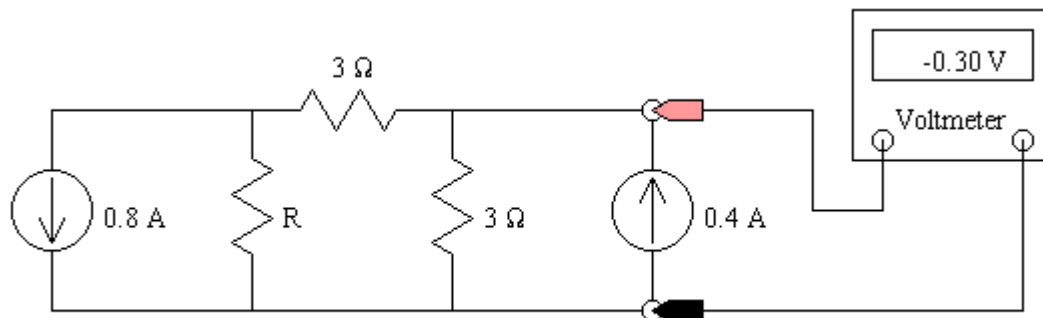


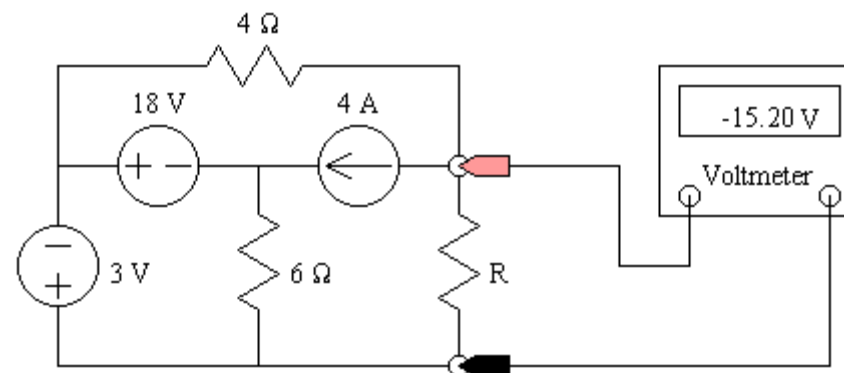
What is the value of the resistance, R , in Ω , ?



What is the value of the resistance, R , in Ω , ?

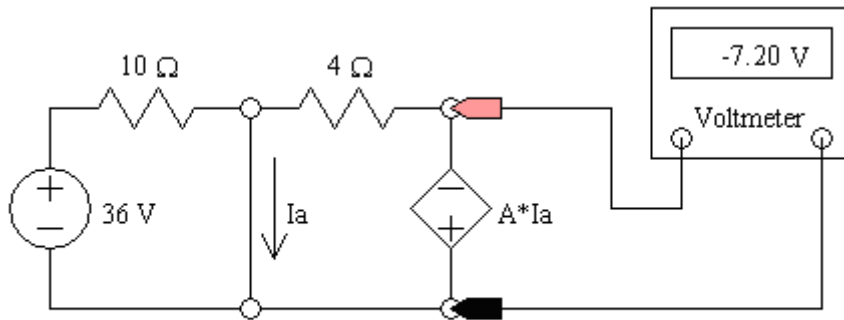


What is the value of the resistance, R , in Ω , ?

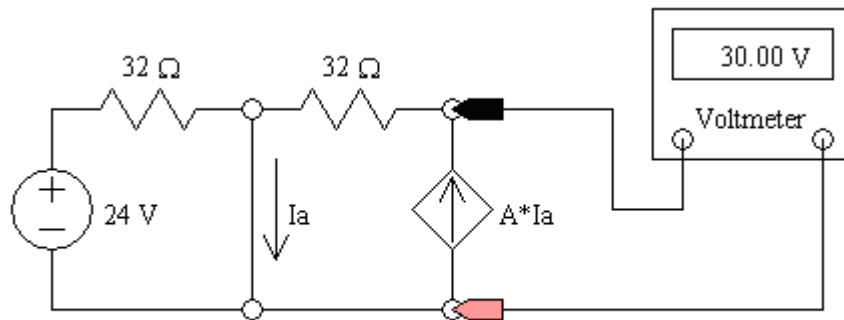


What is the value of the resistance, R , in Ω , ?

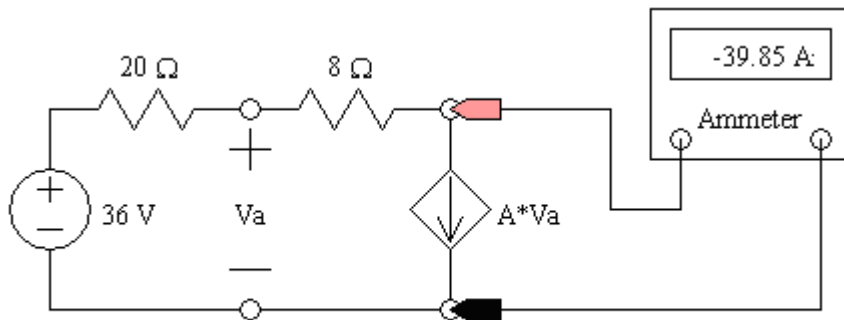
6 Ω , 9 Ω , 16 Ω , 4 Ω



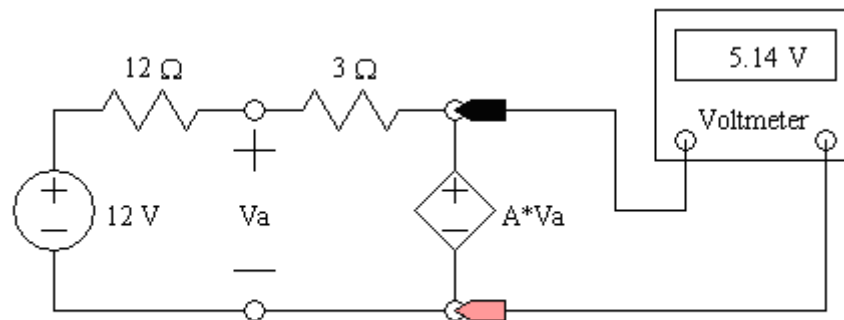
What is the gain of the CCVS, A, in V/A, ?



What is the gain of the CCCS, A, in A/A, ?



What is the gain of the VCCS, A, in A/V, ?



What is the gain of the VCVS, A, in V/V, ?

4 V/A, 5 A/A, 4 A/V, 3 V/V